



DT2650

Averaging Temperature

The DT2650 is a battery operated wireless flexible averaging temperature sensor using 900 MHz spread spectrum technology to monitor averaged temperature in ducts. The flexible cable is 24' long and has nine (9) sensing points evenly spaced throughout the length of the cable for maximum coverage. The DT2650 is easy to install with no wire runs or conduit needed. The DT2650 will send the temperature wirelessly to the RM2432D receiver that converts the wireless signal to voltage input for use with a DDC controller, or to a transceiver which will send the data to a BAS using BACnet™, Modbus, or Lonworks® protocol. Transmission distance in a typical

building is 200-300 feet horizontal depending on the layout and construction of the building, and one floor above and one floor below the transceiver. Sensor distance and reliability can be increased with the addition of a RR2552B(s) repeater.

Applications: Museums, Churches, Historical Buildings & New Construction

The DT2650 is covered by ACI's Two (2) Year Limited Warranty. The warranty can be found in the front of ACI's Sensors & Transmitters catalog, as well as on ACI's website, www.workaci.com.

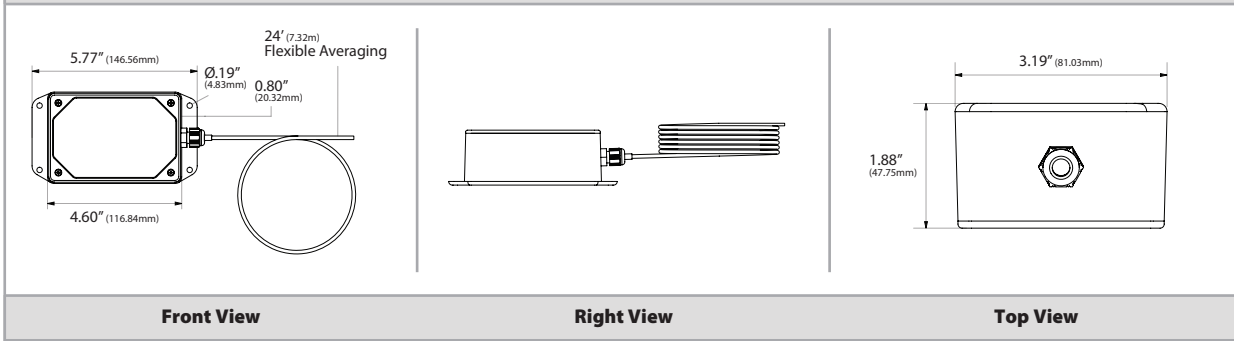
PRODUCT SPECIFICATIONS

Input Voltage:	Battery; 1 (Duracell DL123A), Lithium 3V 1400 mAh 45 mA maximum
Battery Life:	2-3 years typical
Operating Temperature Range:	14 to 140°F, (0 to 60°C)
Operating Humidity Range:	5 to 65%, Non-condensing
Storage Temperature Range:	0 to 176°F (-17 to 8°C), 5 to 65% RH, Non-condensing
Sensor Range:	-40 to 200°F (-40 to 93°C)
Accuracy:	+/- 1°F (+/- 0.555°C) 12 bit resolution
Sensor Cable:	24' (7.32M) CL3P; 18 AWG, 4 conductor
Sensing Points:	9 sensing points
Data Protocol:	IEEE 802.15.4-2003/2006
RF Characteristics:	900 MHz, Operating Frequency 10 channels between 902 – 928 MHz Transmitter Power: 11 dBm Receiver Sensitivity: -11 dBm
Sensor Data Transmission Time:	75 seconds (default) 300 seconds (optional)
Transmission Distance:	200 – 300 ft horizontally depending on building type and construction, and typically one floor above and below the transceiver vertically
Enclosure Material Flammability Rating:	ABS Plastic UL94-5VA
Product Dimensions:	(L) 5.77" (146.56 mm) x (W) 3.19" (81.03 mm) x (H) 1.88" (47.75 mm)
Product Weight:	0.35 lbs (0.16 kg)





DIMENSIONAL DRAWING



STANDARD ORDERING

Model # Example: **DT2650A** -OR- **131032**

Model #	Item #	Description
DT2650A	131032	Wireless Averaging Temperature Sensor (24'), Black Enclosure
DT2650A-300	----	Wireless Averaging Temperature Sensor (24'), Black Enclosure, 300 Second Interval