



RT2602

Input Module, 2 Digital Inputs

The RT2602 is a battery powered input concentrator transmitter with two (2) digital inputs (dry contact) that is designed to take a dry contact signal from an existing wired device and convert it into a wireless signal. The wireless signal is transmitted to an RM2432D or RM2402D receiver which outputs the digital signal to a DDC, or to a MOD9200 BACnet, Modbus, or LONworks protocol transceiver which communicates directly with a BAS. This eliminates the need and

expense of running new wire and conduit. Transmission distance in a typical building is 200-300 feet horizontal depending on the layout and construction of the building, and one floor above and one floor below the transceiver. Sensor distance and reliability can be increased with the addition of a RR2552B(s) repeater.

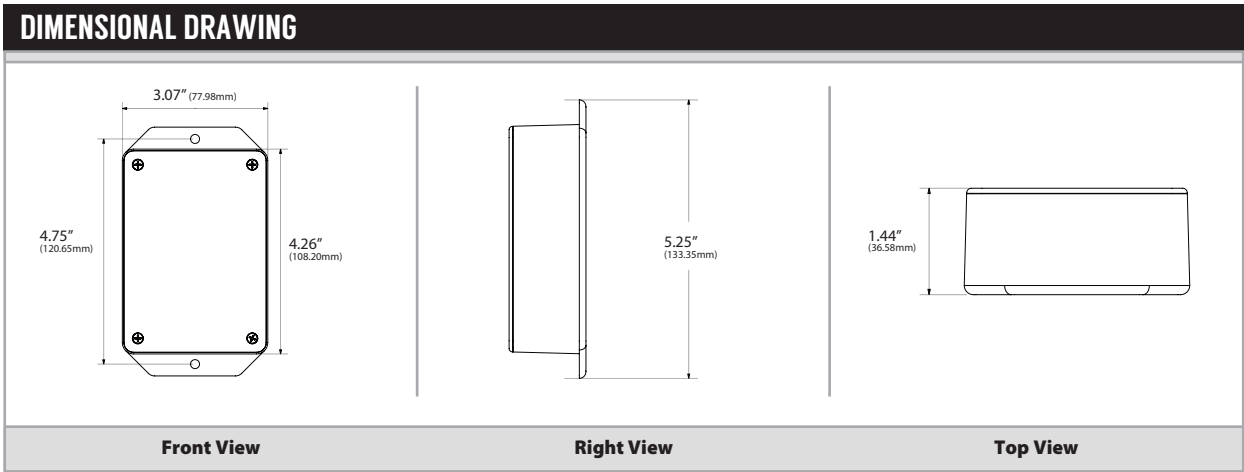
Applications: Alarm/Status Indications, Wireless On/Off Control

The RT2602 is covered by ACI's Two (2) Year Limited Warranty. The warranty can be found in the front of ACI's Sensors & Transmitters catalog, as well as on ACI's website, www.workaci.com.

PRODUCT SPECIFICATIONS

Supply Voltage:	Battery: 1 (Duracell DL123A), Lithium 3V 1400 mAh
Battery Life:	2-3 years typical
Connections:	Screw Terminal Blocks
Wire Size:	16 AWG (1.31 mm ²) to 26 AWG (0.129 mm ²)
Terminal Block Torque Rating:	0.37 ft-lb (0.5 Nm) Nominal
Operating Temperature Range:	14 to 140°F (-10 to 60°C)
Operating Humidity Range:	5 to 65%, Non-condensing
Storage Temperature Range:	-4 to 176°F (-20 to 80°C), 70% RH
Digital Inputs:	Two (2) Dry contact closures
Data Protocol:	IEEE 802.15.4-2003/2006
RF Characteristics:	900 MHz, Operating Frequency 10 channels between 902 – 928 MHz Transmitter Power: 11 dBm Receiver Sensitivity: -11 dBm
Transmission Distance:	200 – 300 ft horizontally depending on building type and constructions, and typically one floor above and below the transceiver vertically
Data Transmission:	75 seconds
Enclosure Material Flammability Rating:	ABS Plastic UL94V-0
Product Dimensions:	(L) 5.25" (133.35 mm) x (W) 3.07" (77.98 mm) x (H) 1.44" (36.58 mm)
Product Weight:	0.50 lbs (0.23 kg)





STANDARD ORDERING Model # Example: **RT2602B** -OR- **130230**

Model #	Item #	Description
RT2602B	130230	2 Digital Input Concentrator, Standard Enclosure