

HTE200AD Series of Room Temperature Sensor



The HTE200AD series is an attractive, low profile enclosure that incorporates a precision temperature sensor used to monitor room temperatures. Available with a selection of different sensor elements.

APPLICATIONS

The HTE200AD Wall mount temperature sensor is designed for use with electronic controllers in domestic or commercial heating and cooling systems.

FEATURES

- Precision Thermistor or RTD
- Attractive, low profile ABS enclosure
- Can be mounted to wall electrical box or directly to wall

SPECIFICATIONS

Sensor Type:.....Thermistor or RTD
See Ordering Chart on Page 2

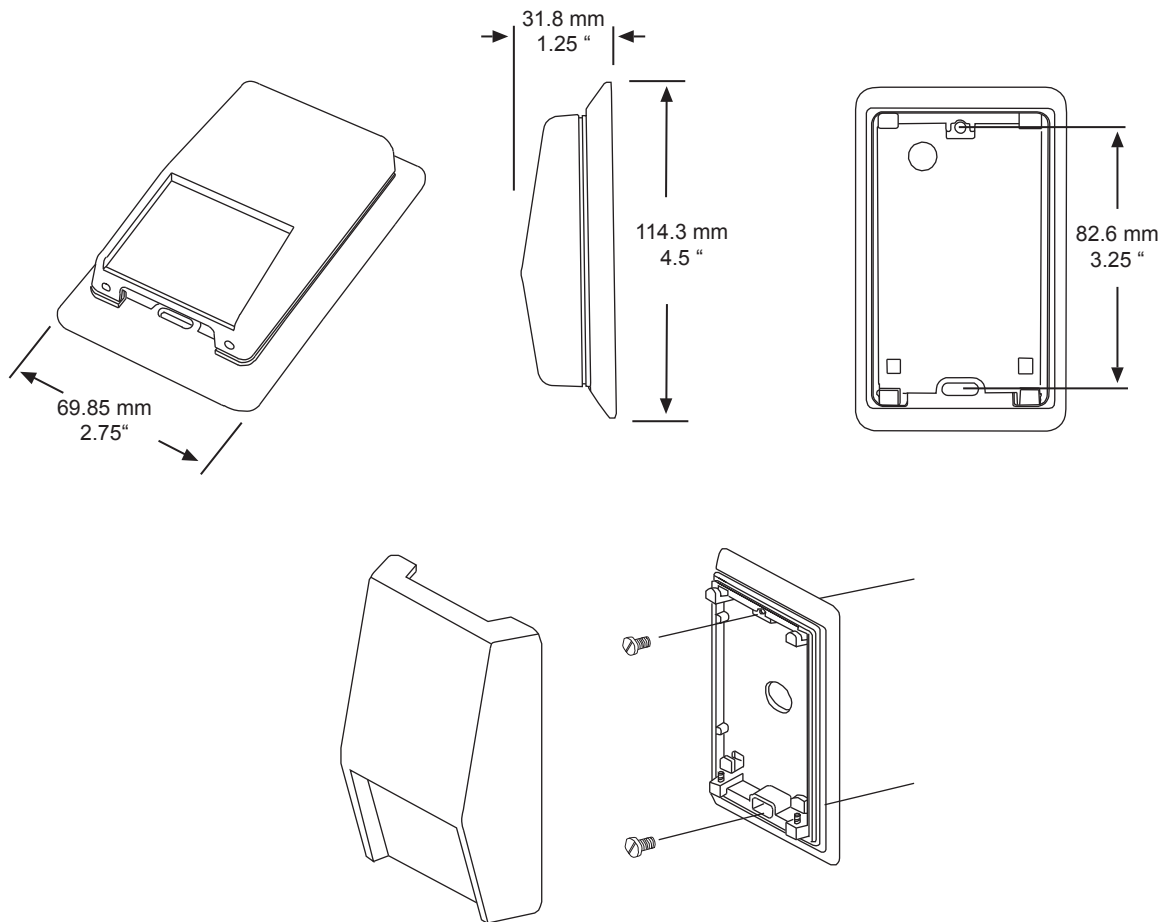
Temperature Range:....0 to 70 °C (32 to 158 °F)

Wire Material:.....PVC insulated, parallel bonded

Enclosure:.....White - ABS - IP30 (NEMA 1)

Termination:.....Pigtail 2 or 3 wire

HTE200AD Series of Room Temperature Sensor



Honeywell Building Solutions

Honeywell

North America:

1985 Douglas Drive North
Golden Valley, MN 55422-3992
+1-800-345-6770, ext. 606

Europe, Middle East, Africa & India:

Honeywell House
Arlington Business Park
Bracknell, United Kingdom RG12 1EB
+44-(0)1344-656000

North Asia:

Zhang Jiang Hi-Tech Park
No. 430 Li Bing Rd., Pudong New Area,
Shanghai, 201203, China
+86-21-2894-2000

South Asia Pacific:

2 Richardson Place
Sydney NSW 2113
+612-9353-7000

www.honeywell.com

ORDERING

MODEL	Product Description										
HTE200AD	Room Temperature Sensor										
	<table border="1"> <thead> <tr> <th>CODE</th> <th>Optional Temperature Sensor Type</th> </tr> </thead> <tbody> <tr> <td>7</td> <td>10,000 Ω, Type 3, NTC Thermistor, ± 0.2 C</td> </tr> <tr> <td>12</td> <td>1000 Ω Platinum, IEC 751, 385 Alpha, thin film</td> </tr> <tr> <td>20</td> <td>20,000 Ω, NTC Thermistor, ± 0.2 C</td> </tr> <tr> <td>24</td> <td>10,000 Ω, Type 2, NTC Thermistor, ± 0.2 C</td> </tr> </tbody> </table>	CODE	Optional Temperature Sensor Type	7	10,000 Ω , Type 3, NTC Thermistor, ± 0.2 C	12	1000 Ω Platinum, IEC 751, 385 Alpha, thin film	20	20,000 Ω , NTC Thermistor, ± 0.2 C	24	10,000 Ω , Type 2, NTC Thermistor, ± 0.2 C
CODE	Optional Temperature Sensor Type										
7	10,000 Ω , Type 3, NTC Thermistor, ± 0.2 C										
12	1000 Ω Platinum, IEC 751, 385 Alpha, thin film										
20	20,000 Ω , NTC Thermistor, ± 0.2 C										
24	10,000 Ω , Type 2, NTC Thermistor, ± 0.2 C										
HTE200AD	20										

Printed on recycled paper containing
15% post-consumer waste.



SL-53-2306
February 2012
© 2012 Honeywell International Inc.

Honeywell