

P7620A Pressure Transmitters/Transducers

PRODUCT DATA



GENERAL

The P7620A industrial pressure transmitters/transducers are ideal for general purpose industrial applications with considering the performance, reliability and cost. The output signal of the sensing bridge converts to a standardized current or voltage signal through surface mount technology circuit board. This high level signal output with very low noise system is packaged in a rugged stainless steel housing to resist the harsh and extreme environment conditions. Each transmitter is inspected and calibrated to ensure its quality.

FEATURES

- Temperature compensated
- Built-in Amplifier
- High level current/voltage output signal
- EMI/RFI protected
- Compact construction
- Shock and vibration resistance
- Zero and span adjustments(4-20mA)
- False system shutdown prevention

SPECIFICATIONS

Performance characteristics:

Accuracy at 25°C: $\leq \pm 0.5\%$ F.S

Stability at 25°C: $\leq 0.4\%$ F.S./year

Thermal Effect $\leq \pm 0.04\%$ F.S./ °C

Environment characteristics:

Media temperature range: -25...+85°C

Ambient temperature range: 0... +70°C

Storage temperature range: -25... +85°C

Compensated range: -40... +135°C

Weatherproof rating: IP 65

Physical characteristics:

Housing:	304 stainless steel
Fitting material:	304 stainless steel
Ceramic Sensor:	Aluminum Oxide Al ₂ O ₃ (96%)
Seal Material:	Viton
Connection:	G 1/2
Electrical Connector:	Terminal Box to DIN43650
Proof Pressure	2 times of pressure ranges

Note: The wetted parts including fitting, sensor and sealing will be contacted with the media directly.

Electrical Data (Current Output):

Output Signal:	4-20mA (2 Wires)
Power	12-32 VDC Normal 24 VDC
Load Resistance:	$\leq (\text{supply voltage} - 12\text{V}) / (0.02\text{A})$ Ohms

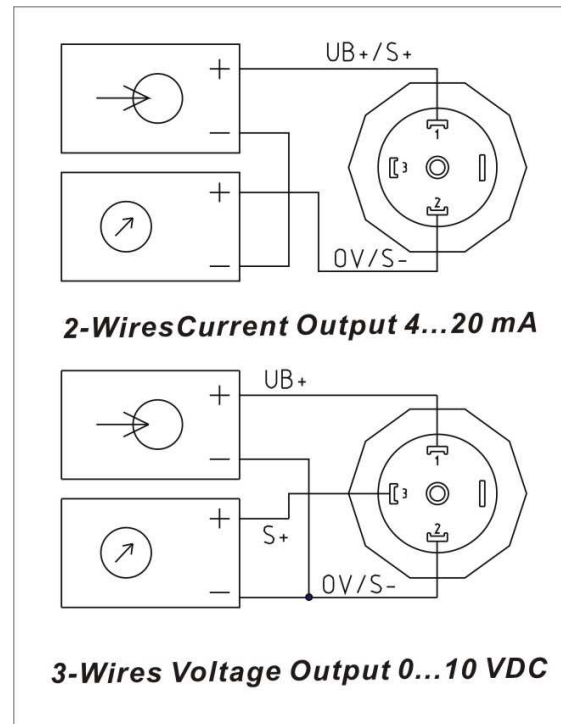
Electrical Data (Voltage Output):

Output Signal:	0-10VDC (3 Wires)
Power	15-32 VDC Normal 24 VDC
Load Resistance:	>10K Ohms

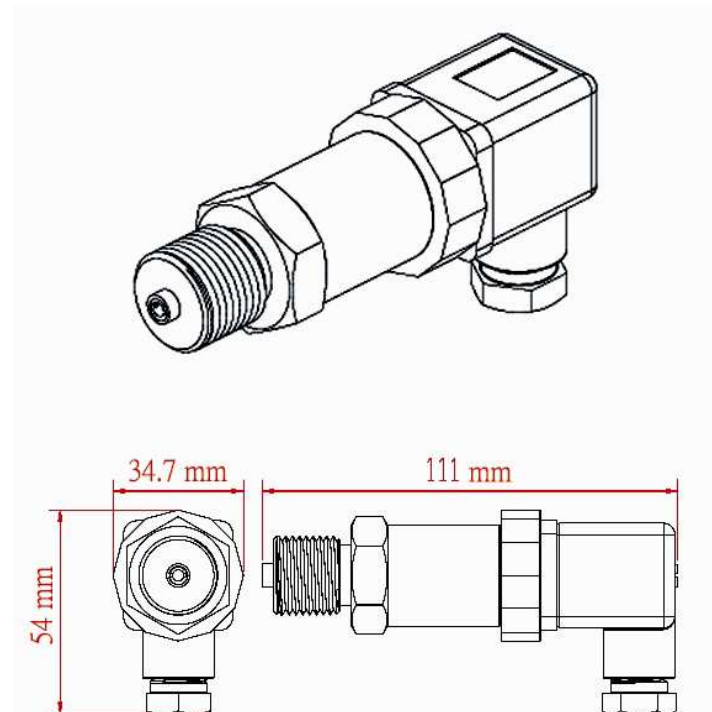
APPLICATIONS

- Industrial OEM equipments
- Hydraulic monitoring systems
- Compressor controls
- Pneumatic systems
- Pump applications
- HVAC systems

WIRING

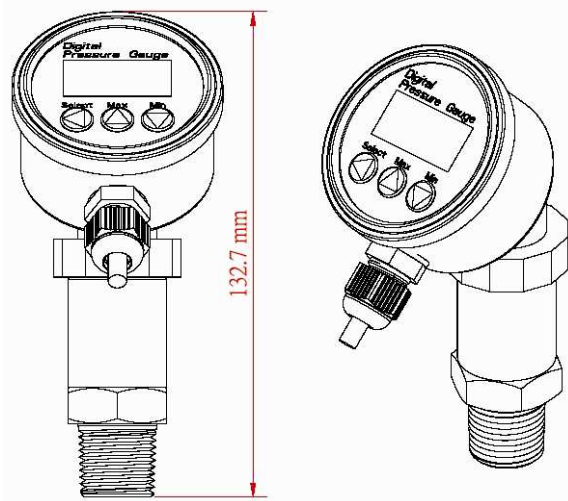


DIMENSION



OPTIONS

The local LED display with the analog current/voltage output and limit switch is available on option. The indicator allows programming via the front panel buttons. It can configure the display parameters (decimal point position, damping, etc.) and switching output(set point, hysteresis, etc.). The measured minimum and maximum values also can be indicated. Furthermore, an access protection can be activated in the menu system.



ACCESSORIES

The plug-in LED indicator provides an ideal solution for a local display with simultaneous signal transmitter body and the DIN connector without the additional wiring or power source. Due to its universal programmability and easy mounting, it is possible to retrofit the plug-in indicator even to pressure transmitters which are

already in use.



P7620-LED-A(4-20mA)
P7620-LED-B(0-10V)

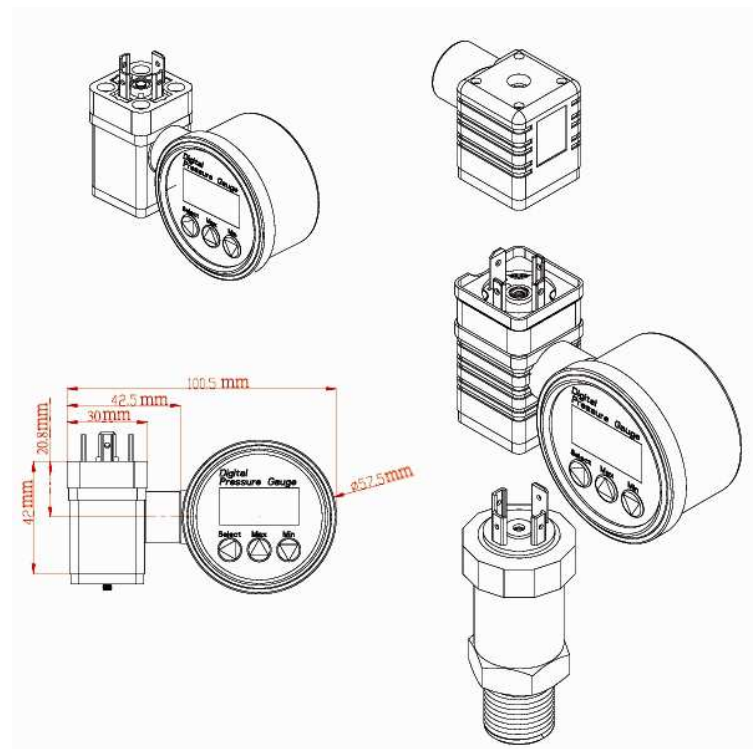
Accuracy
<± 0.2% F.S. 1 digit

Range
<± 0.4% F.S.

Thermal Effect
<± 0.1% F.S.

Ambient Temperature Range
0.....50 °C

Storage Temperature Range
-20.....70 °C



MODEL SELECTION

P 7 6 2 0 A X X X X X - X - X X

Pressure Range

0...1 Bar	1 0 0 1
0...1.6 Bar	1 0 0 3
0...2 Bar	1 0 0 2
0...2.5 Bar	1 0 0 5
0...4 Bar	1 0 0 6
0...6 Bar	1 0 0 4
0...10 Bar	1 0 1 2
0...16 Bar	1 0 1 6
0...20 Bar	1 0 1 8
0...25 Bar	1 0 2 0
0...40 Bar	1 1 4 0
0...60 Bar	1 1 6 0
0...100 Bar	1 1 0 0
0...160 Bar	1 1 6 0
0...200 Bar	1 2 0 0
0...250 Bar	1 2 5 0
0...400 Bar	1 4 0 0
0...600 Bar	1 6 0 0
-1...0 Bar	1 0 V 1
-1...+0.6 Bar	1 C 0 0
-1...+1 Bar	1 C 0 1
-1...+1.5 Bar	1 C 0 2
-1...+3 Bar	1 C 0 3
-1...+5 Bar	1 C 0 5
-1...+6 Bar	1 C 0 6
-1...+9 Bar	1 C 0 9
-1...+15 Bar	1 C 1 5
-1...+24 Bar	1 C 2 4
-1...+39 Bar	1 C 3 9

Output Signal

4-20mA...2 Wires	A
0-10VDC...3 Wires	B

Optional Process Connection

R 1/4 Process Connection	1
1/2"NPT Process Connection	2
G 1/4 Process Connection	3

Others

Acid corrosive media applications	S V
Ammonia and freon applications	A N
Local LED display	L E

Accessories:

P/N:P7620-LED-A...(4-20mA)

P/N:P7620-LED-B...(0-10V)



General specification model

Pressure Range	Part Number	Output Signal	Process Connection	Pressure Range	Part Number	Output Signal	Process Connection
0-1Bar	P7620A1001A	4-20mA	G1/2	0-6 Bar	P7620A1004A	4-20mA	G1/2
	P7620A1001A-1	4-20mA	1/4"PT		P7620A1004A-1	4-20mA	1/4"PT
	P7620A1001A-2	4-20mA	1/2"NPT		P7620A1004A-2	4-20mA	1/2"NPT
	P7620A1001A-3	4-20mA	G1/4		P7620A1004A-3	4-20mA	G1/4
	P7620A1001B	0-10VDC	G1/2		P7620A1004B	0-10VDC	G1/2
	P7620A1001B-1	0-10VDC	1/4"PT		P7620A1004B-1	0-10VDC	1/4"PT
	P7620A1001B-2	0-10VDC	1/2"NPT		P7620A1004B-2	0-10VDC	1/2"NPT
	P7620A1001B-3	0-10VDC	G1/4		P7620A1004B-3	0-10VDC	G1/4
0-1.6Bar	P7620A1003A	4-20mA	G1/2	0-10 Bar	P7620A1012A	4-20mA	G1/2
	P7620A1003A-1	4-20mA	1/4"PT		P7620A1012A-1	4-20mA	1/4"PT
	P7620A1003A-2	4-20mA	1/2"NPT		P7620A1012A-2	4-20mA	1/2"NPT
	P7620A1003A-3	4-20mA	G1/4		P7620A1012A-3	4-20mA	G1/4
	P7620A1003B	0-10VDC	G1/2		P7620A1012B	0-10VDC	G1/2
	P7620A1003B-1	0-10VDC	1/4"PT		P7620A1012B-1	0-10VDC	1/4"PT
	P7620A1003B-2	0-10VDC	1/2"NPT		P7620A1012B-2	0-10VDC	1/2"NPT
	P7620A1003B-3	0-10VDC	G1/4		P7620A1012B-3	0-10VDC	G1/4
0-2 Bar	P7620A1002A	4-20mA	G1/2	0-16 Bar	P7620A1016A	4-20mA	G1/2
	P7620A1002A-1	4-20mA	1/4"PT		P7620A1016A-1	4-20mA	1/4"PT
	P7620A1002A-2	4-20mA	1/2"NPT		P7620A1016A-2	4-20mA	1/2"NPT
	P7620A1002A-3	4-20mA	G1/4		P7620A1016A-3	4-20mA	G1/4
	P7620A1002B	0-10VDC	G1/2		P7620A1016B	0-10VDC	G1/2
	P7620A1002B-1	0-10VDC	1/4"PT		P7620A1016B-1	0-10VDC	1/4"PT
	P7620A1002B-2	0-10VDC	1/2"NPT		P7620A1016B-2	0-10VDC	1/2"NPT
	P7620A1002B-3	0-10VDC	G1/4		P7620A1016B-3	0-10VDC	G1/4
0-2.5 Bar	P7620A1005A	4-20mA	G1/2	0-20 Bar	P7620A1018A	4-20mA	G1/2
	P7620A1005A-1	4-20mA	1/4"PT		P7620A1018A-1	4-20mA	1/4"PT
	P7620A1005A-2	4-20mA	1/2"NPT		P7620A1018A-2	4-20mA	1/2"NPT
	P7620A1005A-3	4-20mA	G1/4		P7620A1018A-3	4-20mA	G1/4
	P7620A1005B	0-10VDC	G1/2		P7620A1018B	0-10VDC	G1/2
	P7620A1005B-1	0-10VDC	1/4"PT		P7620A1018B-1	0-10VDC	1/4"PT
	P7620A1005B-2	0-10VDC	1/2"NPT		P7620A1018B-2	0-10VDC	1/2"NPT
	P7620A1005B-3	0-10VDC	G1/4		P7620A1018B-3	0-10VDC	G1/4
0-4 Bar	P7620A1006A	4-20mA	G1/2	0-25 Bar	P7620A1020A	4-20mA	G1/2
	P7620A1006A-1	4-20mA	1/4"PT		P7620A1020A-1	4-20mA	1/4"PT
	P7620A1006A-2	4-20mA	1/2"NPT		P7620A1020A-2	4-20mA	1/2"NPT
	P7620A1006A-3	4-20mA	G1/4		P7620A1020A-3	4-20mA	G1/4
	P7620A1006B	0-10VDC	G1/2		P7620A1020B	0-10VDC	G1/2
	P7620A1006B-1	0-10VDC	1/4"PT		P7620A1020B-1	0-10VDC	1/4"PT
	P7620A1006B-2	0-10VDC	1/2"NPT		P7620A1020B-2	0-10VDC	1/2"NPT
	P7620A1006B-3	0-10VDC	G1/4		P7620A1020B-3	0-10VDC	G1/4



General specification model

Pressure Range	Part Number	Output Signal	Process Connection	Pressure Range	Part Number	Output Signal	Process Connection
0-40 Bar	P7620A1040A	4-20mA	G1/2	0-200 Bar	P7620A1200A	4-20mA	G1/2
	P7620A1040A-1	4-20mA	1/4"PT		P7620A1200A-1	4-20mA	1/4"PT
	P7620A1040A-2	4-20mA	1/2"NPT		P7620A1200A-2	4-20mA	1/2"NPT
	P7620A1040A-3	4-20mA	G1/4		P7620A1200A-3	4-20mA	G1/4
	P7620A1040B	0-10VDC	G1/2		P7620A1200B	0-10VDC	G1/2
	P7620A1040B-1	0-10VDC	1/4"PT		P7620A1200B-1	0-10VDC	1/4"PT
	P7620A1040B-2	0-10VDC	1/2"NPT		P7620A1200B-2	0-10VDC	1/2"NPT
	P7620A1040B-3	0-10VDC	G1/4		P7620A1200B-3	0-10VDC	G1/4
0-60 Bar	P7620A1060A	4-20mA	G1/2	0-250 Bar	P7620A1250A	4-20mA	G1/2
	P7620A1060A-1	4-20mA	1/4"PT		P7620A1250A-1	4-20mA	1/4"PT
	P7620A1060A-2	4-20mA	1/2"NPT		P7620A1250A-2	4-20mA	1/2"NPT
	P7620A1060A-3	4-20mA	G1/4		P7620A1250A-3	4-20mA	G1/4
	P7620A1060B	0-10VDC	G1/2		P7620A1250B	0-10VDC	G1/2
	P7620A1060B-1	0-10VDC	1/4"PT		P7620A1250B-1	0-10VDC	1/4"PT
	P7620A1060B-2	0-10VDC	1/2"NPT		P7620A1250B-2	0-10VDC	1/2"NPT
	P7620A1060B-3	0-10VDC	G1/4		P7620A1250B-3	0-10VDC	G1/4
0-100 Bar	P7620A1100A	4-20mA	G1/2	0-400 Bar	P7620A1400A	4-20mA	G1/2
	P7620A1100A-1	4-20mA	1/4"PT		P7620A1400A-1	4-20mA	1/4"PT
	P7620A1100A-2	4-20mA	1/2"NPT		P7620A1400A-2	4-20mA	1/2"NPT
	P7620A1100A-3	4-20mA	G1/4		P7620A1400A-3	4-20mA	G1/4
	P7620A1100B	0-10VDC	G1/2		P7620A1400B	0-10VDC	G1/2
	P7620A1100B-1	0-10VDC	1/4"PT		P7620A1400B-1	0-10VDC	1/4"PT
	P7620A1100B-2	0-10VDC	1/2"NPT		P7620A1400B-2	0-10VDC	1/2"NPT
	P7620A1100B-3	0-10VDC	G1/4		P7620A1400B-3	0-10VDC	G1/4
0-160 Bar	P7620A1160A	4-20mA	G1/2	0-600 Bar	P7620A1600A	4-20mA	G1/2
	P7620A1160A-1	4-20mA	1/4"PT		P7620A1400A-1	4-20mA	1/4"PT
	P7620A1160A-2	4-20mA	1/2"NPT		P7620A1400A-2	4-20mA	1/2"NPT
	P7620A1160A-3	4-20mA	G1/4		P7620A1400A-3	4-20mA	G1/4
	P7620A1160B	0-10VDC	G1/2		P7620A1400B	0-10VDC	G1/2
	P7620A1160B-1	0-10VDC	1/4"PT		P7620A1400B-1	0-10VDC	1/4"PT
	P7620A1160B-2	0-10VDC	1/2"NPT		P7620A1400B-2	0-10VDC	1/2"NPT
	P7620A1160B-3	0-10VDC	G1/4		P7620A1400B-3	0-10VDC	G1/4



General specification model

Pressure Range	Part Number	Output Signal	Process Connection	Pressure Range	Part Number	Output Signal	Process Connection
-1....0 Bar	P7620A10V1A	4-20mA	G1/2	-1....+6 Bar	P7620A1C06A	4-20mA	G1/2
	P7620A10V1A-1	4-20mA	1/4"PT		P7620A1C06A-1	4-20mA	1/4"PT
	P7620A10V1A-2	4-20mA	1/2"NPT		P7620A1C06A-2	4-20mA	1/2"NPT
	P7620A10V1A-3	4-20mA	G1/4		P7620A1C06A-3	4-20mA	G1/4
	P7620A10V1B	0-10VDC	G1/2		P7620A1C06B	0-10VDC	G1/2
	P7620A10V1B-1	0-10VDC	1/4"PT		P7620A1C06B-1	0-10VDC	1/4"PT
	P7620A10V1B-2	0-10VDC	1/2"NPT		P7620A1C06B-2	0-10VDC	1/2"NPT
	P7620A10V1B-3	0-10VDC	G1/4		P7620A1C06B-3	0-10VDC	G1/4
-1....+0.6 Bar	P7620A1C00A	4-20mA	G1/2	-1....+9 Bar	P7620A1C09A	4-20mA	G1/2
	P7620A1C00A-1	4-20mA	1/4"PT		P7620A1C09A-1	4-20mA	1/4"PT
	P7620A1C00A-2	4-20mA	1/2"NPT		P7620A1C09A-2	4-20mA	1/2"NPT
	P7620A1C00A-3	4-20mA	G1/4		P7620A1C09A-3	4-20mA	G1/4
	P7620A1C00B	0-10VDC	G1/2		P7620A1C09B	0-10VDC	G1/2
	P7620A1C00B-1	0-10VDC	1/4"PT		P7620A1C09B-1	0-10VDC	1/4"PT
	P7620A1C00B-2	0-10VDC	1/2"NPT		P7620A1C09B-2	0-10VDC	1/2"NPT
	P7620A1C00B-3	0-10VDC	G1/4		P7620A1C09B-3	0-10VDC	G1/4
-1....+1 Bar	P7620A1C01A	4-20mA	G1/2	-1....+15 Bar	P7620A1C15A	4-20mA	G1/2
	P7620A1C01A-1	4-20mA	1/4"PT		P7620A1C15A-1	4-20mA	1/4"PT
	P7620A1C01A-2	4-20mA	1/2"NPT		P7620A1C15A-2	4-20mA	1/2"NPT
	P7620A1C01A-3	4-20mA	G1/4		P7620A1C15A-3	4-20mA	G1/4
	P7620A1C01B	0-10VDC	G1/2		P7620A1C15B	0-10VDC	G1/2
	P7620A1C01B-1	0-10VDC	1/4"PT		P7620A1C15B-1	0-10VDC	1/4"PT
	P7620A1C01B-2	0-10VDC	1/2"NPT		P7620A1C15B-2	0-10VDC	1/2"NPT
	P7620A1C01B-3	0-10VDC	G1/4		P7620A1C15B-3	0-10VDC	G1/4
-1....+1.5 Bar	P7620A1C02A	4-20mA	G1/2	-1....+24 Bar	P7620A1C24A	4-20mA	G1/2
	P7620A1C02A-1	4-20mA	1/4"PT		P7620A1C24A-1	4-20mA	1/4"PT
	P7620A1C02A-2	4-20mA	1/2"NPT		P7620A1C24A-2	4-20mA	1/2"NPT
	P7620A1C02A-3	4-20mA	G1/4		P7620A1C24A-3	4-20mA	G1/4
	P7620A1C02B	0-10VDC	G1/2		P7620A1C24B	0-10VDC	G1/2
	P7620A1C02B-1	0-10VDC	1/4"PT		P7620A1C24B-1	0-10VDC	1/4"PT
	P7620A1C02B-2	0-10VDC	1/2"NPT		P7620A1C24B-2	0-10VDC	1/2"NPT
	P7620A1C02B-3	0-10VDC	G1/4		P7620A1C24B-3	0-10VDC	G1/4
-1....+3 Bar	P7620A1C03A	4-20mA	G1/2	-1....+39 Bar	P7620A1C39A	4-20mA	G1/2
	P7620A1C03A-1	4-20mA	1/4"PT		P7620A1C39A-1	4-20mA	1/4"PT
	P7620A1C03A-2	4-20mA	1/2"NPT		P7620A1C39A-2	4-20mA	1/2"NPT
	P7620A1C03A-3	4-20mA	G1/4		P7620A1C39A-3	4-20mA	G1/4
	P7620A1C03B	0-10VDC	G1/2		P7620A1C39B	0-10VDC	G1/2
	P7620A1C03B-1	0-10VDC	1/4"PT		P7620A1C39B-1	0-10VDC	1/4"PT
	P7620A1C03B-2	0-10VDC	1/2"NPT		P7620A1C39B-2	0-10VDC	1/2"NPT
	P7620A1C03B-3	0-10VDC	G1/4		P7620A1C39B-3	0-10VDC	G1/4
-1....+5 Bar	P7620A1C05A	4-20mA	G1/2				
	P7620A1C05A-1	4-20mA	1/4"PT				
	P7620A1C05A-2	4-20mA	1/2"NPT				
	P7620A1C05A-3	4-20mA	G1/4				
	P7620A1C05B	0-10VDC	G1/2				
	P7620A1C05B-1	0-10VDC	1/4"PT				
	P7620A1C05B-2	0-10VDC	1/2"NPT				
	P7620A1C05B-3	0-10VDC	G1/4				