

P7620B

METAL THIN FILM PRESSURE TRANSMITTER

PRODUCT DATA



GENERAL

The P7620B pressure transmitter can be used for a multitude of functions across many different applications. Exceptionally simple installation, set-up and operation with an excellent price/performance ratio set this highly-reliable product apart.

FEATURES

- Metal thin film
- Wide pressure range (1bar ~ 25bar)
- Non-linearity: 0.25% or 0.5%
- Signal output: 4-20 mA
- Electrical connection: DIN 175301-803A
- Pressure connection: G1/4 DIN 3852-E
- UL, CSA and CE Approvals

SPECIFICATIONS

Performance characteristics:

Accuracy at 25°C	≤ ± 0.5% including non-linearity, hysteresis, zero point and full scale error
Non-repeatability	≤ 0.1%
Long-term drift	≤ 0.1%

Environment characteristics

Medium	0-80 °C
Ambience	0-80 °C
Storage	-20-80 °C
Operating Temperature range	0-80 °C
Waterproof	IP65

Physical characteristics

Wetted parts	
Pressure connection	316L SST
Pressure sensor	316L SST
Housing	316L SST

Electrical Data

Power supply UB	8-30 VDC
Signal output	4-20 mA, 2-wire
Max. ohmic load R _A	≤ (UB-8V) / 0.02A
Response time	< 4 ms
Insulation voltage	500 VDC

MODELS

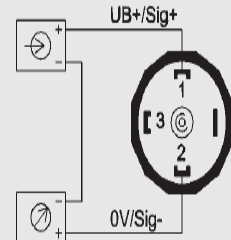
OS Number	Pressure range (bar)	Output
P7620B0010	0~1 bar	4~20mA
P7620B0016	0~1.6 bar	4~20mA
P7620B0025	0~2.5 bar	4~20mA
P7620B0040	0~4 bar	4~20mA
P7620B0060	0~6 bar	4~20mA
P7620B0100	0~10 bar	4~20mA
P7620B0160	0~16 bar	4~20mA
P7620B0250	0~25 bar	4~20mA

APPLICATIONS

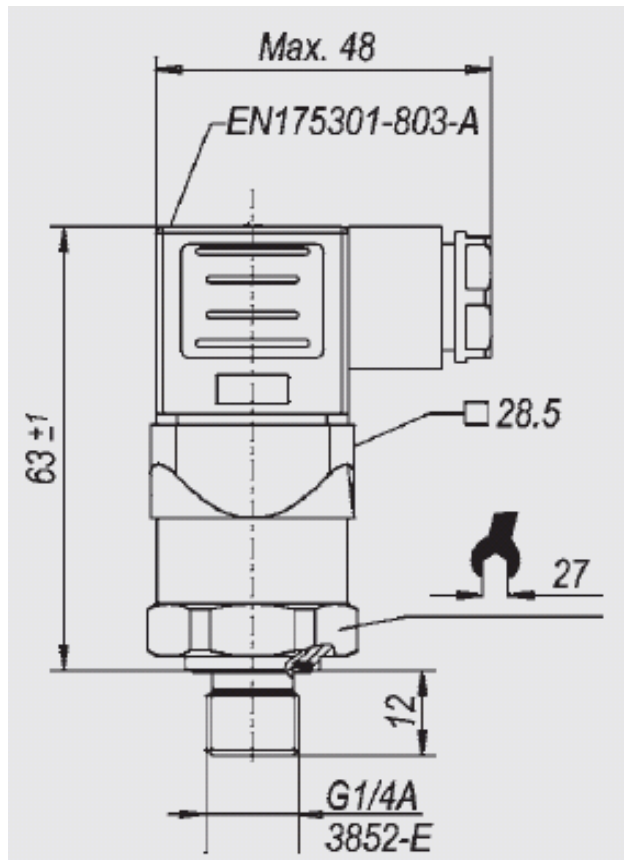
- Mechanical engineering
- Machine tools
- Control and feedback control system
- Hydraulics / Pneumatics
- Pumps / Compressors

Wiring

DIN 175301-803 A
L-connector



Dimensions



Honeywell

Automation and Control Solutions

Honeywell Taiwan Ltd.
10F, 168 Lien Cheng Road
Chung Ho City, Taipei County, Taiwan
Phone: +886-2-2245 1000
Fax: +886-2-2245 3241

Subject to change without notice. Printed in Taiwan