

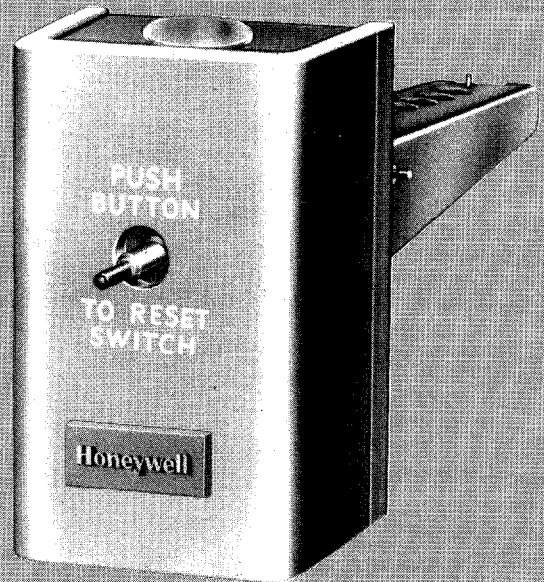
Honeywell

THE L4029E AND F MANUAL RESET LIMIT CONTROLS OPEN A LINE OR LOW VOLTAGE CIRCUIT IF THE AIR TEMPERATURE REACHES A CRITICAL LEVEL AT THE LIMIT CONTROL LOCATION. THE LIMIT CONTROL MAY BE USED AS A FIRE STAT IN THE DUCTWORK OF AIR CONDITIONING AND VENTILATING SYSTEMS. IF THE CIRCULATED AIR REACHES A TEMPERATURE INDICATIVE OF FIRE, THE LIMIT CONTROL SHUTS OFF THE FAN. THE L4029 LIMIT CONTROL WILL PREVENT THE FAN FROM CONTRIBUTING TO THE SPREAD OF A FIRE.

- The L4029E and F are also suitable for use with any warm air furnace to provide positive lockout of the burner in the event of fan failure.
- Internal snap switch actuated by a bimetal strip inserted directly into the air stream responds rapidly to temperature changes.
- Switch breaks and locks out to stop burner or fan operation when the temperature rises to the cutout point.
- When temperature falls approximately 25 degrees below the cutout point, the switch may be reset by pushing the button and releasing.

V.J.
10-75 (.028)

LIMIT CONTROLS



L4029E,F

Residential Div. Form Number

60-2263

SPECIFICATIONS

TRADELINE MODELS

MODEL: L4029E Tradeline Manual Reset Limit Control with case and cover.

CUTOUT SETTING (fixed): To break the circuit at 125 or 165 F.

ELECTRICAL RATINGS (in amperes):

	30V AC	120V AC	240V AC
Full Load	2	10	5
Locked Rotor	—	60	30

0.25 amp full load at 0.25 to 12V dc.
2000 VA maximum connected load.

SWITCH ACTION: Opens circuit and locks out on temperature rise to cutout point.

MAXIMUM AMBIENT TEMPERATURE: At switch 190 F, at bimetal 350 F.

MANUAL RESET: Button through front of cover. Must be pressed and released to remake switch after temperature falls approximately 25 degrees below the cutout point.

DIFFERENTIAL: Manual reset only, after approximately 25 F drop in temperature.

DIMENSIONS (in inches; excluding element):
L4029E—3-3/4 high, 2-5/16 wide, 2 deep (see Fig. 1).

ELEMENT INSERTION LENGTH (in inches): 3-1/8.

MOUNTING MEANS:

L4029E—two screw holes are provided through back of case (see Fig. 1).

WIRING KNOCKOUTS (L4029E): Bottom—for 1/2 inch conduit.

FINISH: Smooth gray.

STANDARD MODELS

MODEL:

L4029E Manual Reset Limit Control with case and cover.

L4029F Manual Reset Limit Control less case and cover.

CUTOUT SETTING (fixed): To break the circuit at 125, 135, 165, 200, or 240 F.

ELECTRICAL RATINGS (in amperes):

	30V AC	120V AC	240V AC
Full Load	2	10	5
Locked Rotor	—	60	30

0.25 amp full load at 0.25 to 12V dc.

SWITCH ACTION: Normally closed spst switch opens on temperature rise to the set point. Switch must be manually reset to operate.

MAXIMUM AMBIENT TEMPERATURE: At switch 190 F, at bimetal 350 F.

MANUAL RESET: Button through front cover. Must be pressed and released to remake switch after temperature falls approximately 25 degrees below the cutout point.

DIFFERENTIAL: Manual reset only, after approximately 25 F drop in temperature.

DIMENSIONS (in inches; excluding element):
L4029E—3-3/4 high, 2-5/16 wide, 2 deep (see Fig. 1).
L4029F—2-3/4 high, 1-7/8 wide, 1-15/32 deep (see Fig. 2).

ELEMENT INSERTION LENGTH (in inches): 3 or 7 inches.

MOUNTING MEANS:

L4029E—two screw holes are provided through back of case (see Fig. 1).

L4029F—two screw notches are provided through the backplate (see Fig. 2).

WIRING KNOCKOUTS (L4029E): Bottom—for 1/2-inch conduit.

FINISH: Smooth gray.

UNDERWRITERS' LABORATORIES, INC. LISTED:
L4029E, File No. MP465 Guide No. 167E7.

UNDERWRITERS' LABORATORIES, INC. COMPONENT RECOGNIZED: L4029F, File No. MP466, Guide No. 167E7.

(continued on page 3)

ORDERING INFORMATION

WHEN PURCHASING REPLACEMENT AND MODERNIZATION PRODUCTS FROM YOUR TRADELINE WHOLESALE OR YOUR DISTRIBUTOR, REFER TO THE TRADELINE CATALOG OR PRICE SHEETS FOR COMPLETE ORDERING NUMBER.

SPECIFY—

1. MODEL NUMBER.
2. ELEMENT LENGTH DESIRED (3 OR 7 INCHES).
3. CUTOUT POINT DESIRED.

IF YOU HAVE ADDITIONAL QUESTIONS, NEED FURTHER INFORMATION, OR WOULD LIKE TO COMMENT ON OUR PRODUCTS OR SERVICES, PLEASE WRITE OR PHONE:

1. YOUR LOCAL HONEYWELL RESIDENTIAL DIVISION SALES OFFICE (CHECK WHITE PAGES OF PHONE DIRECTORY).
2. RESIDENTIAL DIVISION CUSTOMER SERVICE
HONEYWELL INC., 1885 DOUGLAS DRIVE NORTH
MINNEAPOLIS, MINNESOTA 55422 (612) 542-7500
(IN CANADA—HONEYWELL CONTROLS LIMITED, 740 ELLESMERE ROAD, SCARBOROUGH, ONTARIO M1P 2V9)
INTERNATIONAL SALES AND SERVICE OFFICES IN ALL PRINCIPAL CITIES OF THE WORLD.

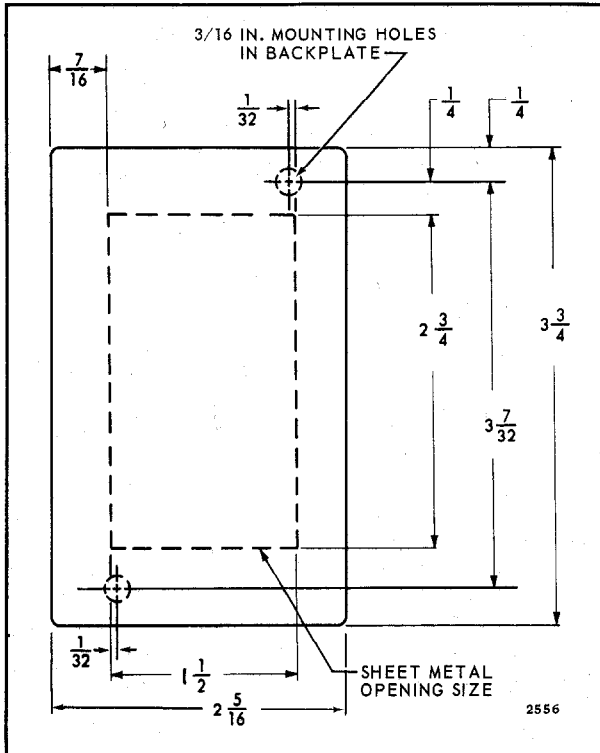


FIG. 1—MOUNTING AND CASE DIMENSIONS IN INCHES FOR L4029E.

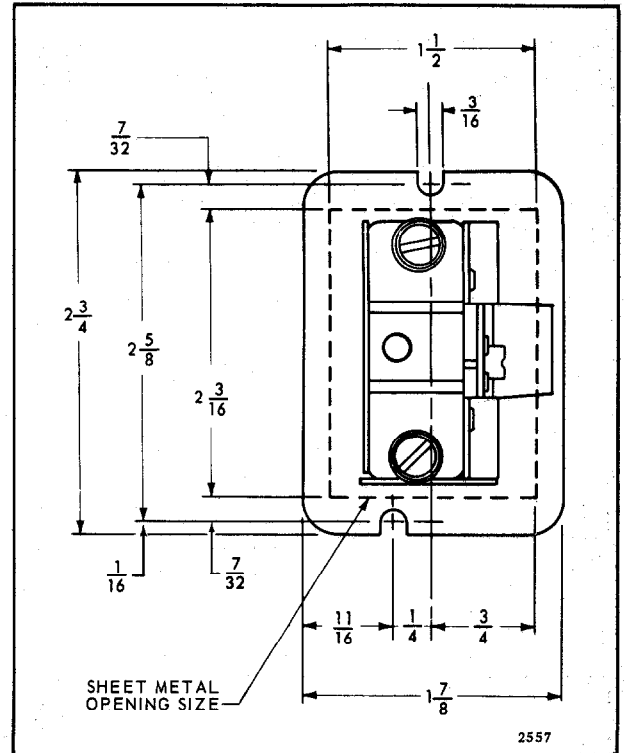


FIG. 2—MOUNTING AND BACKPLATE DIMENSIONS IN INCHES FOR L4029F.

INSTALLATION

CAUTION

1. Installer must be a trained, experienced serviceman.
2. Disconnect power supply before making wiring connections to prevent electrical shock and equipment damage.
3. Always conduct a thorough checkout when installation is complete.

LOCATION

L4029E or F should be mounted where the element can respond quickly to air temperature changes in the system. In a ventilating or air-conditioning installation, the safety control is normally installed with element just upstream of fan. Where there is no intake duct, the L4029E or F may be mounted on a suitable bracket so the air entering the fan is drawn across the element. In a downflow furnace installation, locate the L4029E or F between filter(s) and blower where the circulation of air is not restricted by baffles. Do not permit element guard to touch filter or other internal parts.

MOUNTING

At selected location, cut a hole in sheet metal to clear element guard, and drill holes for mounting

screws (see Fig. 1). Remove cover (L4029E), insert element into hole, and fasten control securely with screws.

WIRING

CAUTION

All wiring must agree with local codes and ordinances.

In all installations follow the equipment manufacturer's instructions. If not available, the typical circuits in Figs. 3-5 can be used.

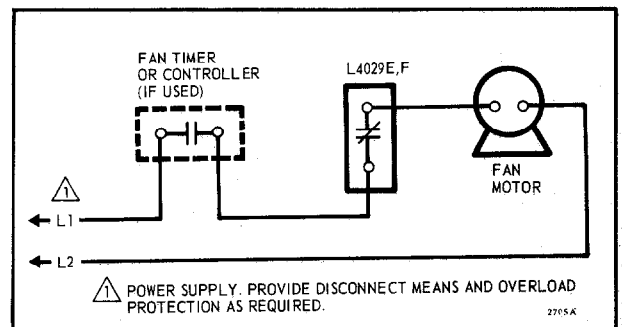


FIG. 3—TYPICAL DIAGRAM OF L4029E OR F IN VENTILATING FAN CIRCUIT.

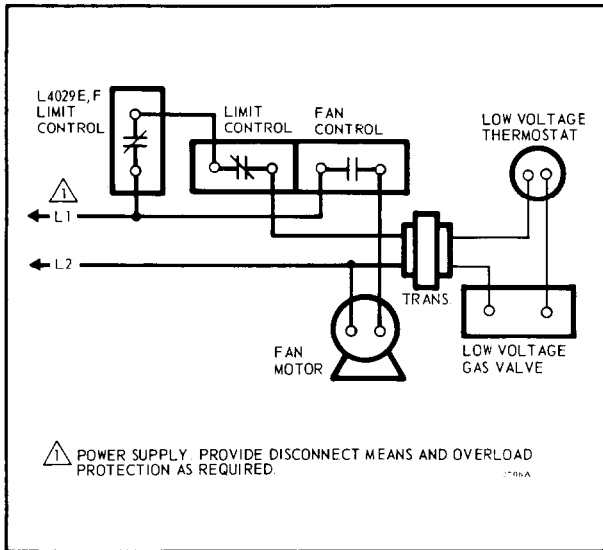


FIG. 4—TYPICAL DIAGRAM OF L4029E OR F IN GAS-FIRED DOWNFLOW FURNACE CIRCUIT.

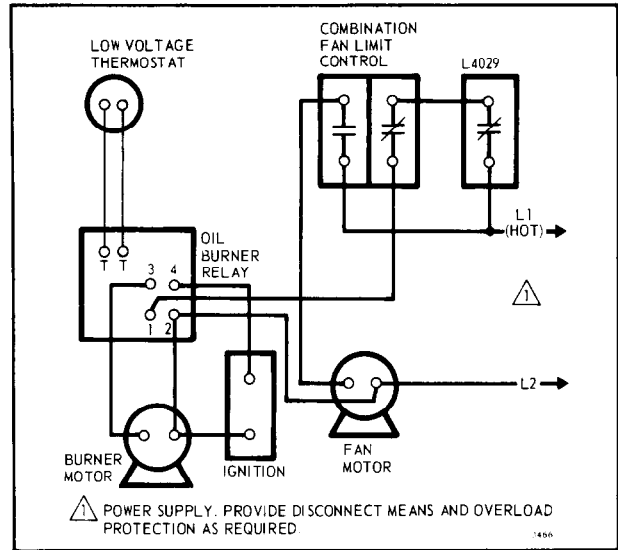


FIG. 5—TYPICAL DIAGRAM OF L4029E OR F IN OIL-FIRED DOWNFLOW FURNACE CIRCUIT.

CHECKOUT

There are no field adjustments to make on the L4029E or F.

TO RESET

When the temperature has dropped approximately 25 degrees (F) below cutout point, push and release the button protruding through the cover.

1. If the limit control should require servicing or replacement, be sure to order by model number.
2. Never use a lighted match to heat the bimetal element for checking the operation.

3. Limit controls do not require lubrication.

Before leaving the job, check the installation as follows:

1. Disconnect the fan from its power supply.
2. Turn on the burner by operating the thermostat.
3. The L4029 will shut off the burner when the plenum temperature reaches the limit setting of the control.
4. If the L4029 fails to shut the burner off, check the installation and wiring carefully. Retest. If control still fails to shut off burner, replace control.