

## V5013P THREE-WAY THREADED GLOBE VALVE

### SPECIFICATION DATA



### Features

- Bronze body with BSPT-threaded connections.
- Stainless steel stem and brass plug.
- Low seat leakage rate ( $\leq 0.05$  percent of  $K_{vs}$ ).
- Spring-loaded, self-adjusting packing.
- Accurate positioning to ensure state of the art temperature control.
- Sizes range from 1-1/4 in. to 2 in.

### Specifications

Action:	Stem up to close port A-AB
Nominal pressure rating:	20 bar (300 psi)
Flow characteristic:	See Fig. 2 Equal percentage port A-AB Linear port B-AB
Rangeability:	50:1
Leakage rate:	$\leq 0.05\%$ of $k_{vs}$
Stroke:	20 mm
Valve body:	
Pipe connections:	Internal BSPT-threaded
Material:	Bronze
Dimensions:	See Fig. 1
Trim:	
Seat:	Integral brass (upper) Replaceable brass (lower)
Plug:	Brass
Stem:	Stainless steel
Packing:	Spring loaded carbon fiber reinforced PTFE V-rings
Medium temperature and pressure:	Water
	2 to 120 °C max. 20 bar
	120 to 170 °C max. 12.8 bar

### Application

Three port mixing control valves for:

- hot water
- chilled water
- Domestic Hot Water

in Heating, Ventilating, Air Conditioning Systems,  
Open Circuits

To be operated by

- electric linear actuators as  
ML 6420 / 25  
ML 7420 / 25  
M 6421  
M 7421

## Sizes and flow capacities

Order Number	Valve size	K <sub>Vs</sub>
V5013P1002	DN32	16
V5013P1010	DN40	25
V5013P1028	DN50	40

## Installation

Water should meet VDI2035 requirements.

Do not install valve with stem below the horizontal.

Fluid flow must correspond with the arrow direction on the valve body.

The installation of a strainer is strongly recommended.

## Spare Parts

Repair packing kit

DN32: Order number 88609014-1

DN40...50: Order number 88609014-2

## Close-off Pressure Ratings in kPa

### Electric Actuators

Actuator		Valve size					
Type	Force	DN15	DN20	DN25	DN32	DN40	DN50
ML6420 / ML6425 ML7420 / ML7425	600N	1600	1600	1000	700	460	260

### Dimensions

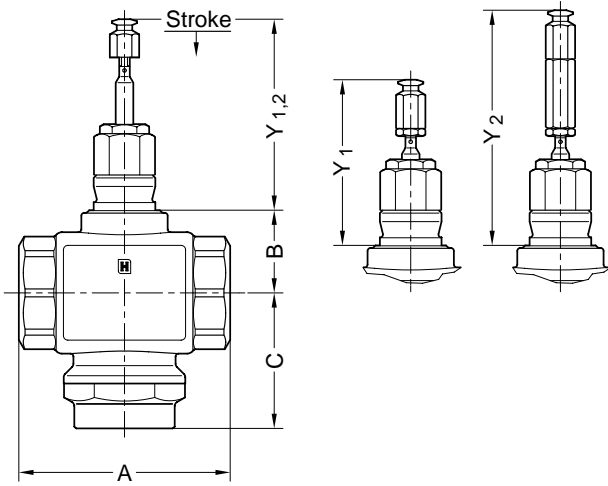


Fig. 1

Valve Size	A	B	C	Y <sub>1</sub>	Y <sub>2</sub> *
				Stem up	
DN32	106	40	73	107	151
DN40	120	46	77		
DN50	134	46	84		

For Actuator dimensions please refer to:

- ML6420 / ML6425 ENOC-0623
- ML7420 / ML7425 ENOC-0624

### Flow characteristic

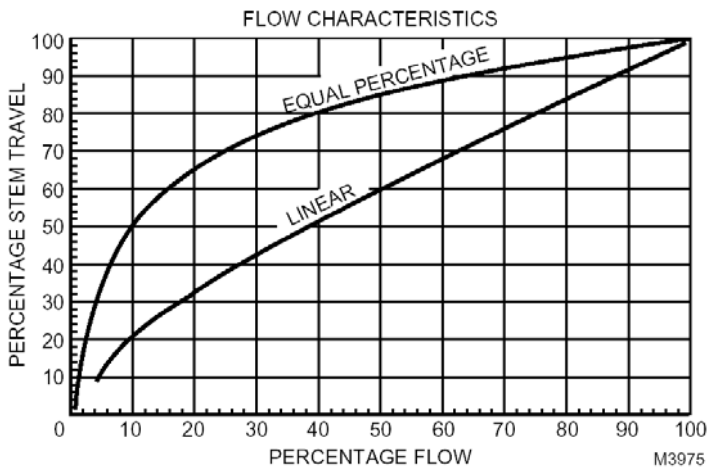


Fig. 2. Equal percentage and linear flow characteristics.

**Honeywell**

---

**Automation and Control Solutions**

Honeywell Taiwan Ltd.  
10F, 168 Lien Cheng Road  
Chung Ho City, Taipei County, Taiwan  
Phone: +886-2-2245 1000  
Fax: +886-2-2245 3241

Subject to change without notice. Printed in Taiwan