

## V5050A FLANGED LINEAR VALVE PN16

### SPECIFICATION DATA



### GENERAL

These single seated valves are used for modulating control of hot / chilled water or steam in heating, ventilating and air conditioning systems. The valves can be operated by linear actuators ML6421B and M7L421B or by pneumatic actuators MP953.

### FEATURES

- Cast iron body with flanged end connections
- Low seat leakage rate
- Metal to metal seating for long life span
- Self adjusting packing
- Accurate positioning to ensure state of the art temperature control
- Easy mounting of direct coupled electric and pneumatic actuators
- Constant total flow throughout full plug travel

### SPECIFICATIONS

<b>Action</b>	Stem up to close port A-AB
<b>Nominal pressure rating</b>	PN16
<b>Flow characteristic</b>	Equal percentage port A-AB, $n_{gl} = 3.4$ linear port B-AB
<b>Rangeability</b>	50:1
<b>Leakage rate</b>	$\leq 0.1$ % of $k_{VS}$ port A-AB $\leq 1$ % of $k_{VS}$ port B-AB
<b>Stroke</b>	38 mm
<b>Valve body</b>	
End connections	Flanged per ISO 7005-2
Material	Cast iron (GG25)
<b>Dimensions</b>	See Fig. 1
<b>Trim</b>	
Seat	Body integrated
Stem	Stainless steel
Plug	Stainless steel, skirt guided
<b>Packing</b>	Spring loaded PTFE cone rings
<b>Medium temperature and pressure</b>	
PN16	2 ... 120 °C; 1600 kPa 120 ... 150 °C; 1440 kPa
<b>Maximum temperature differential in alternating hot/cold water use</b>	60 K

## SIZES AND FLOW CAPACITIES

Order Number	Valve Size	kvs
V5050A2088	DN100	140
V5050A2106	DN125	220
V5050A2114	DN150	310

## INSTALLATION

- Water should meet VDI 2035 requirements.
- Do not install valve with stem below the horizontal.
- Fluid flow must correspond with the arrow direction on the valve body.
- The installation of a strainer is strongly recommended.

## REPAIR PACKING KIT

Part No: 88609020

## CLOSE OFF PRESSURE RATINGS in kPa

### Electric actuators

Actuator		Valve Size		
Model	Force	DN100 (kvs 140)	DN125 (kvs 220)	DN150 (kvs 310)
ML6421B, ML7421B	1800 N	150	120	80

### Pneumatic actuators

Actuator Model	Actuator Spring Range	Air Pressure in Actuator	Closed Valve Seat	Valve Size		
				DN100	DN125	DN150
MP953C; (13")	14-48 kPa (2-7 PSI)	0 kPa	upper	110	70	45
				150	150	150
MP953A,C; (13")	14-48 kPa (2-7 PSI)	115 kPa	lower	150	150	100
				150	150	120

## ACTUATORS

### Electric actuators

Actuator (1800N)	Valve Size
ML6421B ML7421B	DN100 - DN150

### Pneumatic actuators

Actuator		Valve Size	Direct Acting	Positioner
Model	Size			
MP953A	13"	DN100 - DN150	x	yes
MP953C	13"		x	no

## DIMENSIONS (mm)

### Valve

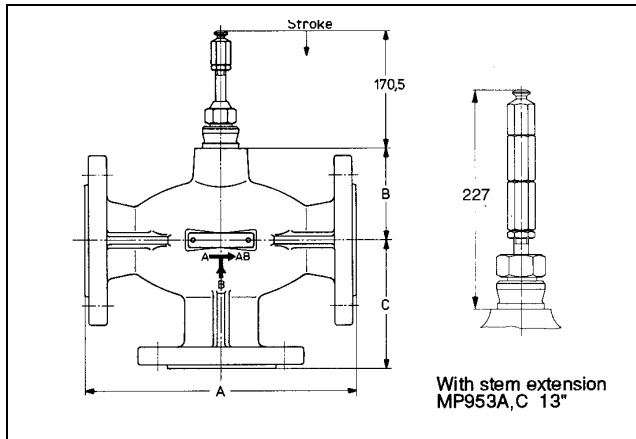


Fig. 1 V5050A

Valve Size	A	B	C
DN100	350	100	150
DN125	400	120	175
DN150	480	140	200

### Electric actuators

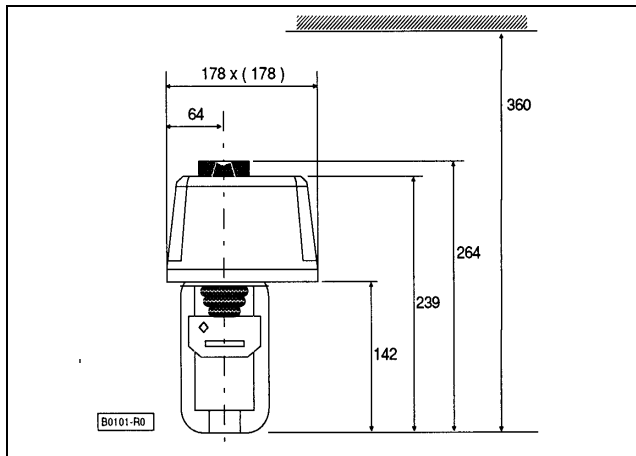


Fig. 2 ML6421B/ML7421B

### Pneumatic actuators

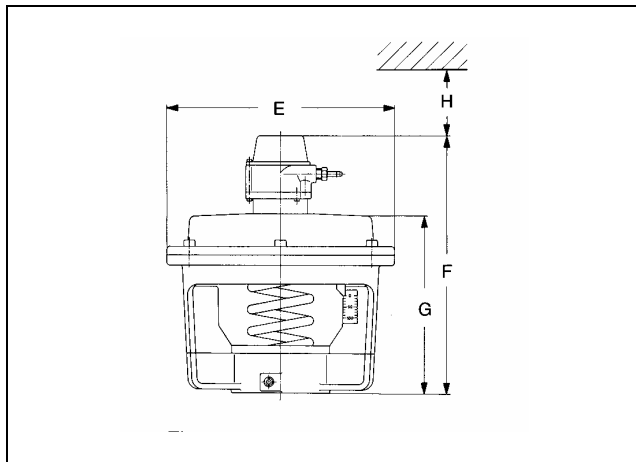


Fig. 3 MP953A,C

Model	ØE	F	G	H
MP953A; 13"	343	327	-	200
MP953C; 13"	343	-	255	200

**Honeywell**

---

**Automation and Control Solutions**

Honeywell Taiwan Ltd.

10F, 168 Lien Cheng Road

Chung Ho City, Taipei County, Taiwan

Phone: +886-2-2245 1000

Fax: +886-2-2245 3241

Subject to change without notice. Printed in Taiwan

APEN0H-002TW01A0604