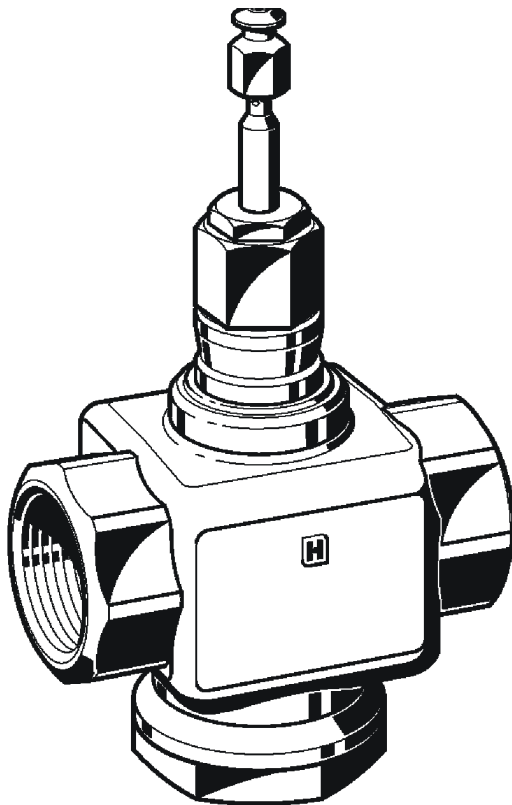


V5211F THREADED END-CONNECTION HIGH CLOSE-OFF PRESSURE RATING LINEAR VALVE

SPECIFICATION DATA



Application

Single seated control or shutoff valve for:

- hot water
- chilled water
- Domestic Hot Water
- Steam

in Heating, Ventilating, Air Conditioning Systems
Open Circuits

To be operated by

- electric linear actuators as ML 6420 / 25
- pneumatic actuators as MP 953
- ML 7420 / 25

Features

- New designed packing materials for steam application up to 180 C
- Bronze body with threaded end connections
- High close-off pressure rating 1000kPa work with 600N DCA actuator(ML6420/ML7420)
- Low seat leakage rate
- Self adjusting packing
- Accurate positioning to ensure state of the art temperature control
- Directly coupled electric and pneumatic actuators for easy mounting

Specifications

| | |
|----------------------------------|--|
| Action: | Stem down to close |
| Nominal pressure rating: | ANSI 150 |
| Flow characteristic: | Equal percentage |
| Rangeability: | 50:1 |
| Leakage rate: | ≤0.05% of Cv |
| Stroke: | 20 mm |
| Valve body: | |
| Pipe connections: | Internal BSPT-threaded |
| Material: | Bronze |
| Dimensions: | See Fig. 1 |
| Trim: | |
| Seat: | Bronze |
| Plug: | Stainless steel, replaceable |
| Stem: | Stainless steel |
| Packing: | Spring loaded Viton or PTFE reinforced V-rings |
| Medium temperature and pressure: | 2 to 120 C max 1495 kPa |
| Water & Steam | 120 to 180 C max 1100 kPa |

Sizes and flow capacities

| Order Number | Application | Valve size | Cv (k _v) |
|--------------|-------------|------------|----------------------|
| V5211F1004 | Water | 2 1/2" | 63.0 (54.00) |
| V5211F2002 | Steam | | |
| V5211F1012 | Water | 3" | 100.0 (85.7) |
| V5211F2010 | Steam | | |

Installation

Water should meet VDI2035 requirements.
 Do not install valve with stem below the horizontal.
 Fluid flow must correspond with the arrow direction on the valve body.
 The installation of a strainer is strongly recommended.

Spare Parts

Repair packing kit
 14003295-004-2

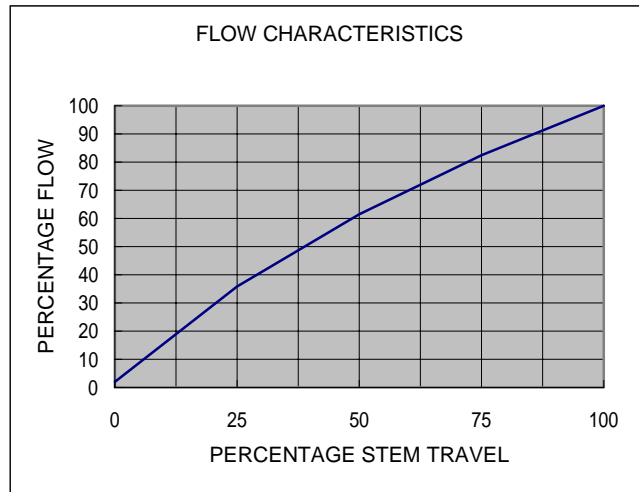
Close-off Pressure Ratings in kPa

Electric Actuators

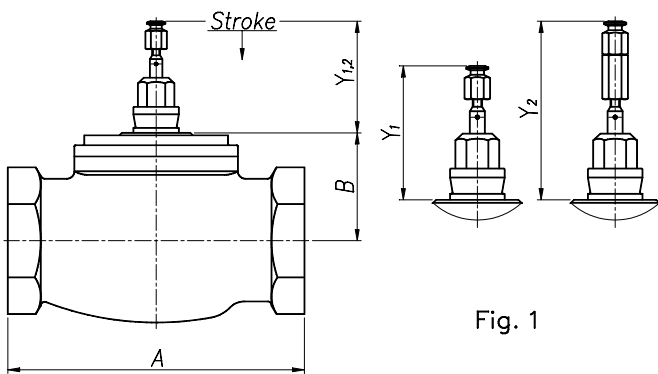
| Actuator | | Valve size | |
|------------------------------------|-------|------------|------|
| Type | Force | 2 1/2" | 3" |
| ML6420 / ML6425 ML7420 / ML7425 | 600N | 1000 | 1000 |

Pneumatic actuators

| Actuator | Valve size | |
|----------|------------|------|
| Type | 2 1/2" | 3" |
| MP953 | 1000 | 1000 |



Dimensions (in in.)



| Valve Size | A | B | Y ₁ | Y ₂ * |
|------------|-------|--------|----------------|------------------|
| | | | stem down | |
| 2-1/2" | 7-1/2 | 2-3/4 | 3-1/2 | 5-1/4 |
| 3" | 8-7/8 | 3-3/16 | | |

* Y₂ with stem extension for MP953A,C 8" only

For Actuator dimensions please refer to:

| | |
|-----------------|-----------|
| ML6420 / ML6425 | ENOC-0623 |
| ML7420 / ML7425 | ENOC-0624 |
| MP935 | ENOC-0450 |