

V5328A_S

FLANGED LINEAR VALVE SS304 OR SS316 HIGH CLOSE-OFF PRESSURE RATING

SPECIFICATION DATA



GENERAL

These single seated valves are used for modulating control of hot / chilled water or steam in heating, ventilating and air conditioning systems.

The valves can be operated by linear actuators ML6420/ML6425 or ML7420/ML7425 or by pneumatic actuators MP953.

FEATURES

- Stainless steel body with flanged end connections
- Low seat leakage rate
- High Close-off Pressure Rating (1000kPa)
- Metal to metal seating for long life span
- Self adjusting packing
- Accurate positioning to ensure state of the art temperature control
- Easy mounting of direct coupled electric and pneumatic actuators
- Approved according to DIN 32730

SPECIFICATIONS

Action	Stem down to close
Nominal pressure rating	PN16 (ANSI150 JIS10K)
Plug	Pressure balanced plug
Flow characteristic	Equal percentage, $n_{gl} = 3.4$
Rangeability	50:1
Leakage rate	≤ 0.1 % of k_{VS}
Stroke	20 mm
Valve body	
End connections	Flanged per ISO 7005-2
Material	SS304 or SS316
Dimensions	See Fig. 1
Trim	
Seat	Stainless steel, replaceable
Stem	Stainless steel
Plug	Stainless steel, skirt guided
Packing	Spring loaded PTFE cone rings
Medium temperature and pressure	2...120 °C; max. 1600 kPa 120...150 °C; max. 1400 kPa 150...170 °C; max. 1370 kPa

SIZES AND FLOW CAPACITIES

Order Number	Valve Size	k _{vs}
V5328A1039-S	15A	5.2
V5328A1054-S	20A	8.6
V5328A1062-S	25A	13.7
V5328A1088-S	40A	33.7
V5328A1161-S	50A	62.6
V5328A1179-S	65A	92.8
V5328A1187-S	80A	127.2

INSTALLATION

- Water should meet VDI 2035 requirements.
- Do not install valve with stem below the horizontal.
- Fluid flow must correspond with the arrow direction on the valve body.
- The installation of a strainer is strongly recommended.

ACTUATORS

Electric actuators

Stem Force/Actuator		
600 N	600 N Spring Return	1800 N
ML6420A ML7420A	ML6425A,B ML7425A,B	ML6421A ML7421A

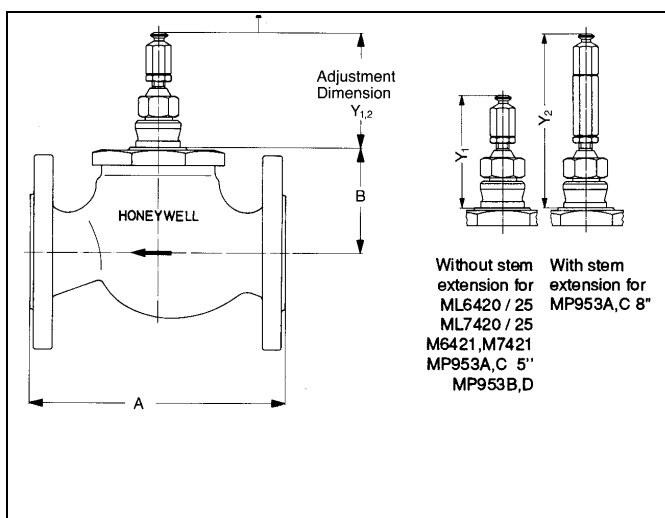
CLOSE OFF PRESSURE RATINGS in kPa

Electric actuators

Actuator		Valve Size						
Model	Force	15A	20A	25A	40A	50A	65A	80A
ML6420A, ML6425A,B ML7420A, ML7425A,B	600 N	1600	1600	1600	1300	1000	1000	1000
ML6421A, ML7421A	1800 N	-	-	-	1600	1600	1600	1600

DIMENSIONS (mm)

Valve



Valve Size	A	B	Y ₁ *	Y ₂ *
15A	184	148	closed	133 Valve close
20A	184	148		
25A	184	148		
40A	222	156.5		
50A	254	167.5		
65A	276	182		
80A	298	188		

* = Adjustment dimension

Electric actuators

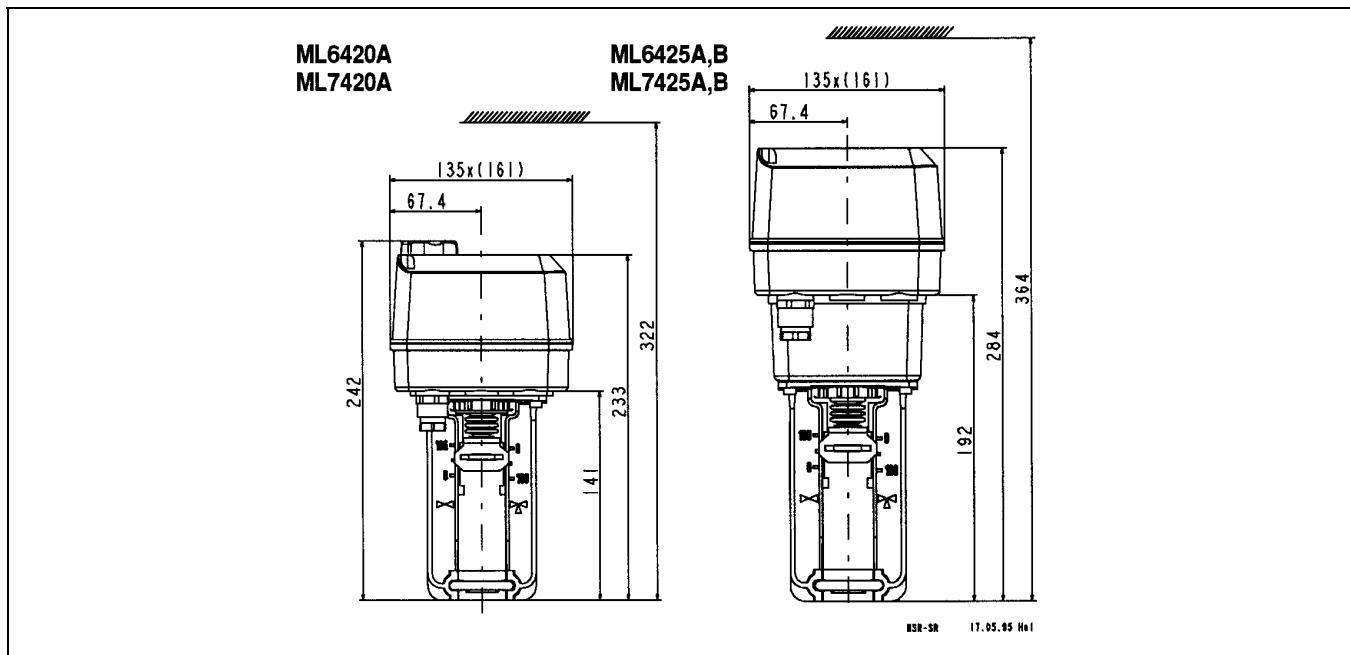


Fig. 3 ML6420A/ML6425A,B and ML7420A/ML7425A,B

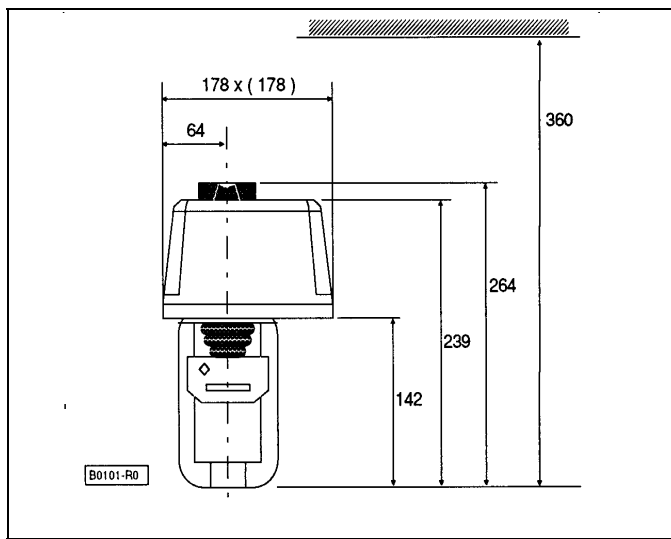


Fig. 4 ML6421A/ML7421A

Actuator O.S. No.	DIN Registration No.
ML6425A3022 ML6425B3013 ML7425A3013 ML7425B3012	1F13995

NOTE: V5328A valves in combination with the following actuators are approved according to DIN 32730:

